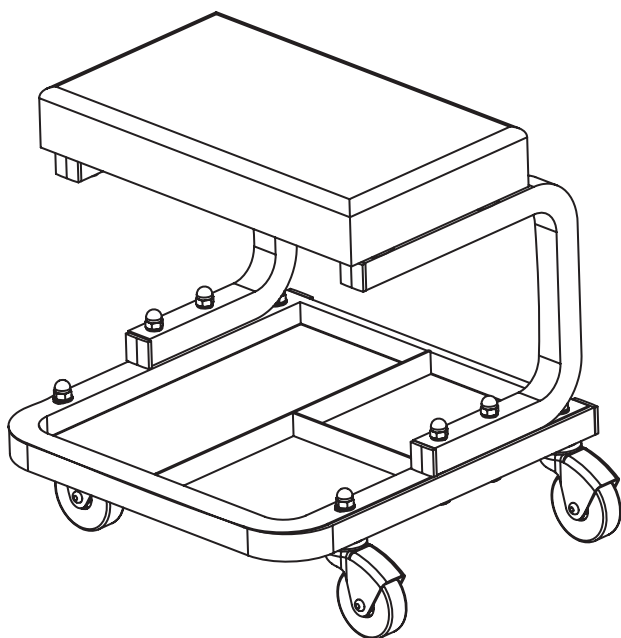




OWNER'S MANUAL

CAR SEAT
SIÈGE D'AUTO
ASIENTO DE COCHE
AUTOSITZ
АВТОМОБИЛЬ СИДЕНЬЯ

Item: TR6100



▲ WARNING!

Read carefully and understand all ASSEMBLY AND OPERATION INSTRUCTIONS before operating. Failure to follow the safety rules and other basic safety precautions may result in serious personal injury.

INSPECTION

- Inspect the product carefully before each use. Ensure the product is not damaged, excessively worn, or missing parts.
- Do not use the product unless it is properly lubricated.
- Using a product that is not in good clean working condition or properly lubricated may cause serious injury.
- Inspect the work area before each use. Make sure it is free and clear of any potential hazards.

SAFETY

BEFORE PERFORMING ANY WORK ON A VEHICLE OR USING THIS PRODUCT:

Always use Jack Stands!

DO NOT USE wood blocks or any other non-approved load sustaining devices.

DO NOT USE wood blocks or any other non-approved lifting devices for a means of lifting with a jack and or load being raised. Failure to heed these warnings may cause injury or death.

▲ WARNING!

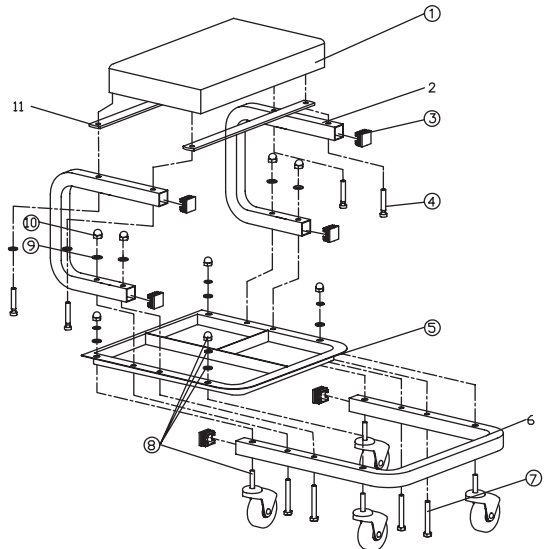
1. Study, understand, and follow all instructions before operating this device.
2. Do not exceed rated capacity, (includes user, tools, equipment and personal items).
3. Use only on hard, level surfaces, with less than 3 degrees of slope.
4. Do use as a dolly.
5. Sit down gently! Avoid shock loads caused by jumping or falling onto product.
6. Do not stand on product.
7. Beware of pinch and crush hazards when folding and unfolding.
8. Keep out of the reach of children! This device is not appropriate for children's use.
9. Do not use product unless vehicle is properly secured.
10. Only attachments and/or adapters supplied by the manufacturer shall be used.
11. Do not allow anyone under a vehicle that is being repaired, until the vehicle has been properly supported by jack stands.
12. Use wheel chocks or other blocking devices on opposing wheels before performing work on a vehicle.
13. No alterations shall be made to this product.
14. Do not use this product for any use other than the manufacturer specified usage.
15. Failure to heed these markings may result in personal injury and/or property damage.

ASSEMBLY INSTRUCTIONS

Safe Operating Temperature is between

40°F – 105°F (4°C - 41°C)

ITEM	DESCRIPTION	Q'TY
1	Seat	1
2	Metal Frame	2
3	Plug	6
4	Cross-recess Screw M6x45	4
5	Plastic Tray	1
6	Base	1
7	Hex Bolt M8x60	4
8	Caster Wheel	4
9	Flat Washer Ø8	4
10	Cap Nut M8	4
11	Flat Steel Frame Supports	2



Changshu Tongrun Auto Accessory Co.,Ltd.
Add: New Long Teng Industry Area, Changshu Economy
Development Zone, Changshu, Jiangsu, China.
Made in China