

Hammer drill
Item No.: 28225
Model No.: Z1C-HW01-3288EP



Manual for use



Please read this manual carefully before using.

1. Technical specifications

Item No.	28225
Model No.	Z1C-HW01-3288EP
Rated voltage	230 V, 50 Hz
Power	1500 W
Protection class	II
Nominal revolutions	0-850 min ⁻¹
Hammer rate	0-4500 bpm
Impact energy	6 J
Tool receiving socket	SDS+
Max. drill chuck diameter	
● Concrete	32mm
● Steel	13mm
● Wood	40mm
Sound power level (L _{WA})*	L _{WA} =101,9dB(A) (K=3 dB(A))
Sound pressure level, (L _{PA})*	L _{PA} =90,9dB(A) (K=3 dB(A))
Vibration**	Main handle (max.): $\alpha_{h,HD}$: 13,590m/s ² ; $\alpha_{h,CHeq}$: 14,300m/s ² Auxiliary handle (max.): $\alpha_{h,HD}$: 11,265m/s ² ; $\alpha_{h,CHeq}$: 14,510m/s ² (K=1,5 m/s ²)
Weight	5 kg

*) The specified values are emission values and do not necessarily represent safe workplace values. Although there is a correlation between emission and immission levels, this cannot be used to infer whether additional safety measures are necessary or not. Factors which affect the current immission levels at the workplace, include the type of room, other sources of noise, e.g. the number of machines operating and other processes taking place in the vicinity. Permitted workplace values can differ from country to country. This information is designed to help the user to better assess the dangers and risks.

***) The specified vibration emission value was measured in accordance with a normed test procedure and can be used in order to compare one tool with another. The specified vibration emission value can also be used for an introductory evaluation of the exposure. The vibration emission value may fluctuate from the specified value during actual use of the power tool. These fluctuations will depend on the way in which the power tool is used. Try to keep vibrations to a minimum. One method of reducing the vibration load is, for example, limiting the length of time you work with the tool. All parts of the operating cycle must be taken into account for this purpose (for example, also including times in which the power tool is switched off and times in which it is switched on, but is running without load).

2. Components and controls



Fig. 1

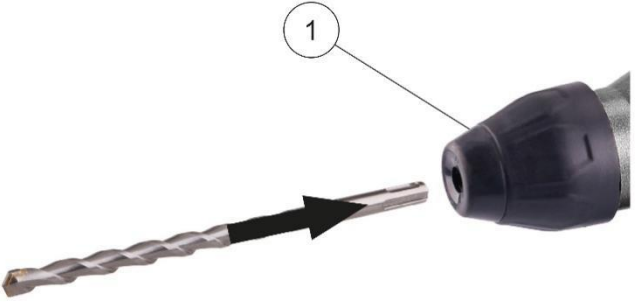


Fig. 2

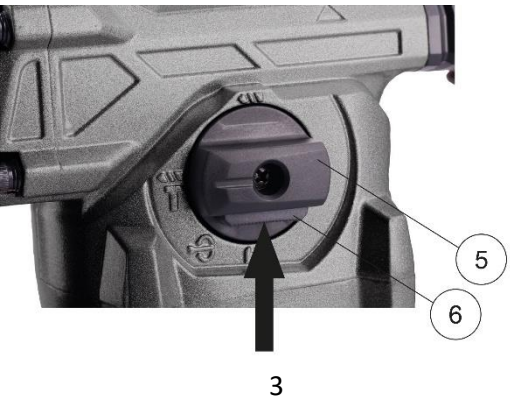


Fig. 3

Your device at a glance

➤ **Figure 1**

1. Tool holder (Tool clamping head)
2. Depth stop
3. Lock button for depth stop
4. On/off switch
5. Function switch
6. Locking button
7. Auxiliary handle

3. Operation



Removing a tool

CAUTION!

Risk of injury

Shortly after being used, the tool may be very hot. Risk of burning! Allow a hot tool to cool down. Never clean a hot tool with flammable liquids.

➤ **Figure 2**

- Pull the tool holder (1) back
- Remove the tool

Inserting a tool

CAUTION!

Risk of injury

Make sure that when installing the tool that it fits securely in the clamping chuck and is not at an angle.

➤ **Figure 2**

- Pull the tool holder (1) back
- Insert the required tool with a slight turn until the tool holder locks.

Selecting the operating mode





NOTICE!

Risk of damage to the unit!

Only change operating mode when the device is switched off.

➤ Figure 3

Press the lock button (6) and set the function switch (5) to the required operating mode:

- Position  for drilling without the hammer function into wood, metal, ceramics and plastics and for the screwdriver function.
- Position  for hammer drilling in cement or stone.
- Position  for chasing in cement or stone.
- Position  is only used to rotate the tool to the required position.

Check before switching on!

Check to make sure the unit is in a safe operating condition:

- Check to make sure there are no visible defects.
- Check to make sure all unit components are correctly mounted.

Switching on and off

- To start the tool turning, press the On/Off switch (4)
- To switch the unit off, release the On/Off switch (4)

Note:

The revolution speed of the device can be varied by applying different pressures to the On/Off switch.

Drilling

DANGER!

Risk of injury!

Never hold the work piece that you are working with in your hand, on your lap, or against other body parts.

NOTICE!

Risk of damage to the unit!

Never use the drill for chasing or to expand drilled holes.
Always use a drill appropriate to the material.

- Hold the device straight and drill with even pressure.

4. Before you begin...

Intended use

When used for its intended purpose, this device corresponds to the state of the art, as well as to the current safety requirements at the time of its introduction. The unit is designed for chasing and hammer drilling in cement, tiles and stonework and well as for drilling without the hammer function in wood, metal, ceramics and plastic. The device is not suitable for commercial or industrial use. Any other type of use is inappropriate. Improper use or modifications to the device or the use of components that are not tested and approved by the manufacturer may result in unforeseen damage! Any use that deviates from its intended use and is not included in these instructions is considered unauthorized use and relieves the manufacturer from his or her legal liability.

5. For your safety

General safety instructions

- To operate this device safely, the user must have read and understood these instructions for use before using the device for the first time.
- If you sell or pass the device on, you must also hand over these operating instructions.

General safety information for power tools

WARNING!

Read all instructions.

Failure to follow all instructions listed below may result in electric shock, fire and/or serious injury.

- **Store all safety notes and safety instructions for future reference.** The term power tool in all of the warnings listed below refers to your mains operated (corded) power tool.

Safety at work

- **Keep work area clean and well lit.** Cluttered and dark areas invite accidents.

- **Do not operate power tools in explosive atmospheres, such as in the presence of flammable liquids, gasses or dust.** Power tools create sparks, which may ignite the dust or fumes.
- **Keep children and bystanders away while operating a power tool.** Distractions can cause you to lose control.

Electrical safety

- **Power tool plugs must match the outlet. Never modify the plug in any way. Do not use any adapter plugs with earthed (grounded) power tools.** Unmodified plugs and matching outlets will reduce risk of electric shock.
- **Avoid body contact with earthed or grounded surfaces such as pipes, radiators, ranges and refrigerators.** There is an increased risk of electric shock if your body is earthed or grounded.
- **Do not expose power tools to rain or wet conditions.** Water entering a power tool will increase the risk of electric shock.
- **Do not abuse the cord. Never use the cord for carrying, pulling or unplugging the power tool. Keep cord away from heat, oil, sharp edges or moving parts.** Damaged or entangled cords increase the risk of electric shock.
- **When operating a power tool outdoors, use an extension cord suitable for outdoor use.** Use of a cord suitable for outdoor use reduces the risk of electric shock.
- **If operating a power tool in a damp location is unavoidable, use a residual current device (RCD) protected supply.** Use of an RCD reduces the risk of electric shock.

Personal safety

- **Stay alert, watch what you are doing and use common sense when operating a power tool. Do not use a power tool while you are tired or under the influence of drugs, alcohol or medication.** A moment of inattention while operating power tools may result in serious personal injury.
- **Use safety equipment. Always wear eye protection.** Safety equipment such as dust mask, non-skid safety shoes, hard hat, or hearing protection used for appropriate conditions will reduce personal injuries.
- **Avoid accidental starting. Ensure the switch is in the off position before plugging in.** Carrying power tools with your finger on the switch or plugging in power tools that have the switch on invites accidents.
- **Remove any adjusting key or wrench before turning the power tool on.** A wrench or a key left attached to a rotating part of the power tool may result in personal injury.
- **Do not overreach. Keep proper footing and balance at all times.** This enables better control of the power tool in unexpected situations.

- **Dress properly. Do not wear loose clothing or jewellery. Keep your hair, clothing and gloves away from moving parts.** Loose clothes, jewellery or long hair can be caught in moving parts.
- **If devices are provided for the connection of dust extraction and collection facilities, ensure these are connected and properly used.** Use of these devices can reduce dust related hazards.

Power tool use and care

- **Do not force the power tool. Use the correct power tool for your application.** The correct power tool will do the job better and safer at the rate for which it was designed.
- **Do not use the power tool if the switch does not turn it on and off.** Any power tool that cannot be controlled with the switch is dangerous and must be repaired.
- **Disconnect the plug from the power source before making any adjustments, changing accessories, or storing power tools.** Such preventive safety measures reduce the risk of starting the power tool accidentally.
- **Store idle power tools out of the reach of children and do not allow persons unfamiliar with the power tool or these instructions to operate the power tool.** Power tools are dangerous in the hands of untrained users.
- **Maintain power tools. Check for misalignment or binding of moving parts, breakage of parts and any other condition that may affect the power tools operation. If damaged, have the power tool repaired before use.** Many accidents are caused by poorly maintained electrical tools.
- **Keep cutting tools sharp and clean.** Properly maintained cutting tools with sharp cutting edges are less likely to bind and are easier to control.
- **Use the power tool, accessories and tool bits etc. in accordance with these instructions and in the manner intended for the particular type of power tool, taking into account the working conditions and the work to be performed.** Use of the power tool for operations different from intended could result in hazardous situation.
- **Before starting check if the machine is clean.** Clean the surface of the machine regularly with a damp cloth or compressed air. Do not use solvents when cleaning plastic parts. Most plastics are susceptible to damage by various types of commercial solvents and their use can damage plastics.
- **Before starting check if the ventilation holes are not covered or clogged.** Always blow dirt out of the vents to keep the cooling fan working properly. If the machine becomes clogged, the carbons may wear prematurely, especially if you work on abrasive concrete.
- **Check the carbon brushes regularly.** If the brushes are shorter than 5 mm, replace them. After changing the carbons, let the machine run without load for a few minutes.

Service

- **Have your power tool serviced by a qualified repair person using only identical replacement parts.** This will ensure that the safety of the power tool is maintained.

Safety notes for hammering

- **Wear ear defenders when hammer drilling.** The effects of noise may lead to loss of hearing.
- **Use the additional handles supplied with the unit.** Loss of control may lead to injuries.
- **Hold the device by the insulated surfaces when carrying out work during which it is possible that the tool or screw may come across hidden power cables or its own cable.** Contact with a power-carrying cable may also put metal parts of the unit under power and cause an electric shock.

Additional safety notes

- **Prior to starting work, use appropriate tool to determine whether there are any hidden supply lines are located on the area you are working in. If in doubt, ask the relevant supply services.** Contact with power lines may cause fire and electrical shock. Damaging a gas pipe may cause an explosion. Damaging a water pipe leads to considerable property damage and may cause electrical shock.
- **Avoid uncontrolled restarting.** Switch the tool off when the power supply is interrupted, for example, by a power failure or pulling the plug.
- **Wait until the power tool has come to a standstill before you put it down.** The inserted tool may otherwise jam and cause a loss of control over the power tool.
- **Secure the work piece.** Use tensioning equipment or a vice to secure the work piece to help prevent kickback or uncontrolled flying of the work piece (e.g. when getting jammed in the work piece).
- **Immediately switch off the power tool when the inserted tool becomes blocked. Be prepared for high responses instances in the event of kickback.** The inserted tool will jam when the power tool is overloaded or tilted within the work piece.
- **Never use the power tool with a damaged cable. Do not touch a damaged cable and pull out the power plug immediately.** Damaged cables increase the risk of electric shock.
- **Keep cutting tools sharp and clean.** Properly maintained cutting tools with sharp cutting edges are less likely to jam and are easier to control.
- **Prevent overheating of the device and the work piece.** Excess heat may damage the tool and the device.
- **Shortly after being used, the tool may be very hot. Allow a hot tool to cool down.** Touching a hot tool may cause burns.
- **Never clean a hot tool with flammable liquids.** There is a risk of fire and explosion.

- **Keep the handles dry and free of grease.** Slippery handles can lead to accidents.
- **When working, hold the power tool firmly with both hands and ensure you have a stable footing.** The power tool can be guided in a safer fashion when you use two hands.
- **Always comply with the all applicable domestic and international safety, health, and working regulations.** Inform yourself before you start work about the regulations that apply at the site of the device.
- Remember that moving parts may also be located behind ventilation and venting slots.
- Symbols affixed to your device may not be removed or covered. Information on the device that is no longer legible must be replaced immediately.



Before putting the unit into operation, read and observe the instructions for use.

6. Meaning of symbols on labels

<p>FESTA 28225 MODEL: Z1C-HW01-3288EP 230V~50Hz 1500W max Ø32mm 0-850min⁻¹ 0-4500bpm SN: 0523 Produced by Levior Tovačovská 3488 CZ-750 02 Přerov</p>		Meets relevant EU requirements.
		Electrical waste, see below
		Second class protection equipment. Double insulation
		Use certified eye and ear protection with a sufficient level of protection.
		Read the instructions before use.

7. Risks caused by vibrations

CAUTION!

Risk of injury due to vibrations!

Vibrations may, in particular for persons with circulation problems, cause damage to blood vessels and/or nerves.

If you notice any of the following symptoms, stop working immediately and consult a doctor. Numbness of body parts, loss of sense of feeling, itching, pins and needles, pain, changes in skin colour.

The vibration values specified in the technical data represent the main uses of the device. The actual existing vibrations during use may deviate from these as a result of the following factors:

- Incorrect use of the product;
- Unsuitable tools inserted;
- Unsuitable material;
- Insufficient maintenance.

You can reduce the risks considerably by following the tips below:

- Maintain the device in accordance with the instructions in the operating instructions.
- Avoid working at low temperatures.
- When it is cold, make sure your body and your hands, in particular, are kept warm.
- Take regular breaks and move your hands at the same time to promote circulation.

8. Waste disposal

PACKAGING

- Dispose of the packaging in the appropriate waste container.

POWER TOOLS

- According to the European Directive (EU) 2012/19, electrical and electronic equipment may not be disposed of as mixed waste, but it is necessary to return them for ecological disposal to the return of electrical equipment at designated collection points.



EC Declaration of Conformity

Manufacturer Levior s.r.o. • Tovačovská 3488, CZ-750 02 Přerov declares that the subsequently marked devices, based on their concept and construction, as well as the designs listed on the market, meet the requirements of the European Union listed below. This declaration is issued under the sole responsibility of the manufacturer.

Subjects of declaration-product identification:

Product: Electric Hammer

Model No.: Z1C-HW01-3288EP

Item No.: 28225

comply with the following harmonized standards, including their amending annexes, if any, by which conformity with the following harmonization provisions is declared:

2006/42/EC:

EN 60745-1:2009/A11:2010; EN 60745-2-6:2010; EK9-BE-87:2014; EK9-BE-88(v2):2020;

AfPS GS 2019:01 PAK

EN 62841-1:2015; EN IEC 62841-2-6:2020/A11:2020; AfPS GS 2019:01 PAK

2014/30/EU:

EN 55014-1:2017/A11:2020; EN 55014-2:2015; EN IEC 61000-3-2:2019;

EN 61000-3-3:2013/A1:2019

2011/65/EU (EU)2015/863

The completion of technical documentation 2006/42/EC was performed by Ondřej Marek with his registered office at the manufacturer's address.

The technical documentation (2006/42/EC) is available at the manufacturer's address.

Place and date of issue of the EC declaration of conformity: Přerov, 30.5.2023

Person authorized to draw up the EC declaration of conformity on behalf of the manufacturer (signature, name, function):

 **LEVIOR** s.r.o.®

Tovačovská 3488/28, 750 02 Přerov

IČO 61973939 DIČ CZ61973939

tel.: 581 746 256-8, fax: 581 746 255



Ondřej Marek
managing director Levior s.r.o.