

Adjustable props



Adjustable props EAP, has got wide use in building industry. Primary use is supporting ceiling constructions, supporting shutter of building opening and similar.

Adjustable props basic

Order no.	Name	Extention	Weight
48453	Adjustable props EAP 04	180/ 320cm	10 kg
48454	Adjustable props EAP 05	200/360cm	11,1 kg
48455	Adjustable props EAP 06	250/440cm	13,9 kg
48456	Adjustable props EAP 07	260/480cm	15,2 kg
48457	Adjustable props EAP 95	220/400cm	15,2 kg

• Tightening head twist in min. positions

• Push the inner tube to approximately the desired height and secure with pin.
(Hole pitch 100 mm)

• Props erect vertically upwards at a place that we want to sit and using a tightening head prop tighten and stretch it with gentle mechanical tap on the handle tightening head.

Common technical data

Inner diameter 48 x 2mm
Outer diameter 56 x 1,8mm
Lenght of: 135mm
Safety pin: 14mm
Support foot: 120 x 120 mm

To determine the load capacity of props, use the table. Maximum load capacity of adjustable props EAP is calculated with a safety factor of 2.5.

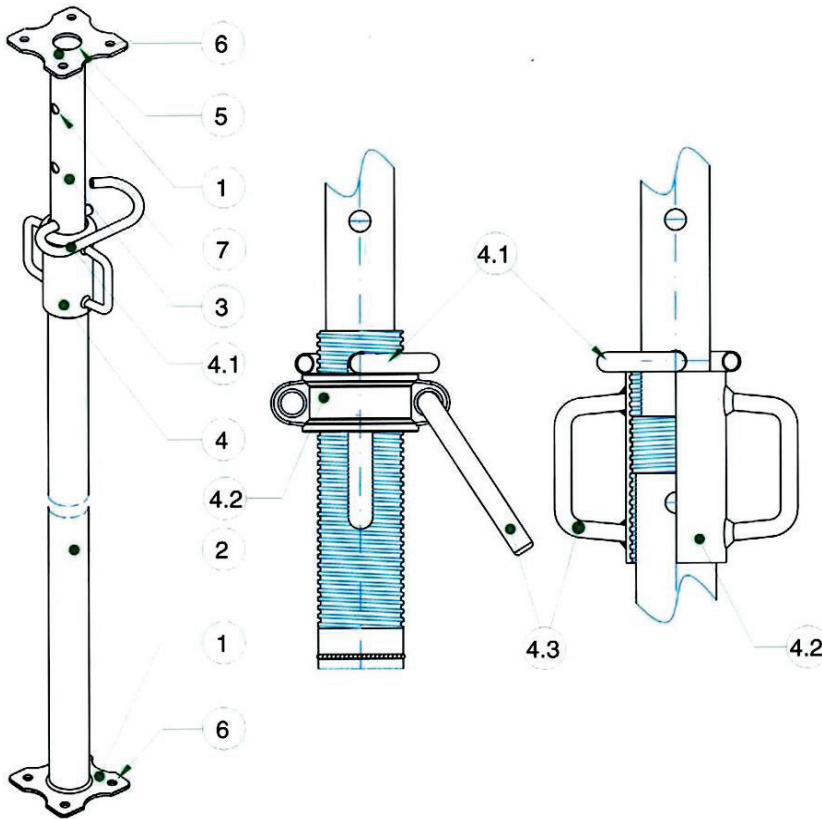
Adjustable props EAP Table of load capacity

extension capacity	50/100 kg	70/120 kg	100/170 kg	160/290 kg	180/320 kg	200/360 kg	220/400 kg	250/440 kg	260/480 kg	320/500 kg
500										300
480									350	400
440								550	600	650
420								750	800	800
400							758	900	900	1000
380							890	950	1050	1200
360						801	980	1010	1200	1400
340						1091	1150	1190	1320	1600
320					870	1215	1230	1300	1400	1800
300					1071	1280	1300	1420	1480	
290				1010	1190	1385	1450	1500	1600	
270				1080	1346	1509	1630	1580	1700	
250				1190	1540	1640	1700	1700		
230				1350	1660	1750	1750			
220				1430	1740	1764	1800			
200				1620	1785	1800				
180				1765	1800					
170			2470	1800						
160			2470	1800						
140			2470							
120		2470	2470							
100	2470	2470	2470							
90	2470	2470								
70	2470	2470								
60	2470									
50	2470									

inn pipe ø 48,3
outer pipe ø 56
pinn ø 14

Adjustable props EAP according to law 102/2001 meet the standart ČSN (DIN) EN 1065 for adjustable extention steel props.
Company Officine Villalta meet certification for ISO9001:2000 for production and distribution of adjustable props.

Adjustable props must always be shored up vertically upwards, producer, importer and seller admits responsibility for any damages resulting from improper use of formwork props.



1. Base
 2. Outer pipe, diameter 56mm
 3. Inner pipe, diameter 48,3mm
 4. Tightening head, tightening head is made in two versions according to load capacity of adjustable prop. Secure pin, diameter 14mm
- Tightening heads - DO-Tightening head with open screw. DC - Tightening head with closed screw

- Handle of tightening head
5. Center hole for additional mounting fixation fork etc.
 6. Holes for fixing the prop
 7. Holes for securing pin



Adjustable props EAP according to law 102/2001 meet the standart ČSN (DIN) EN 1065 for adjusable extention steel props. Company Officine Villalta meet certification for ISO9001:2000 for production and distribution of adjustable props.

